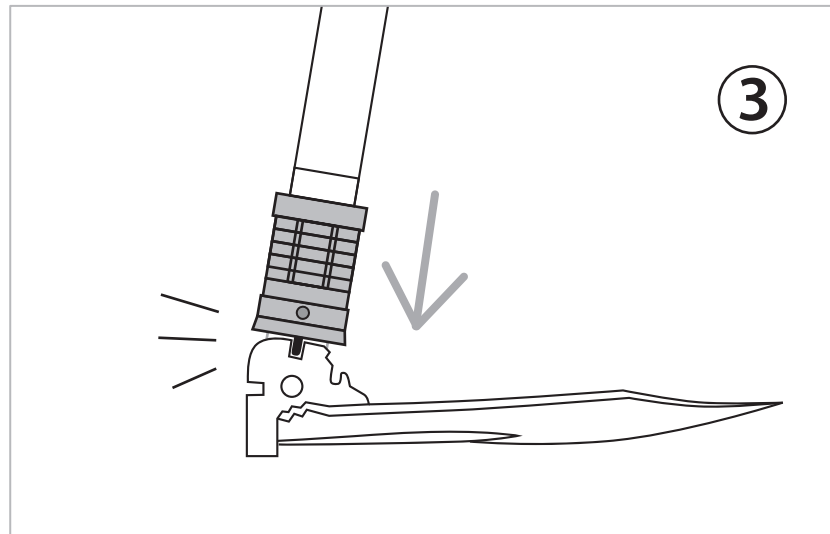
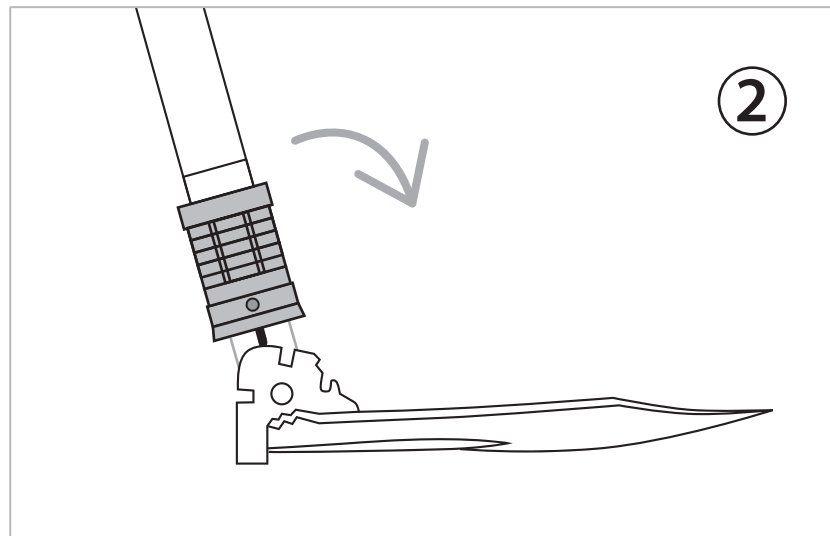
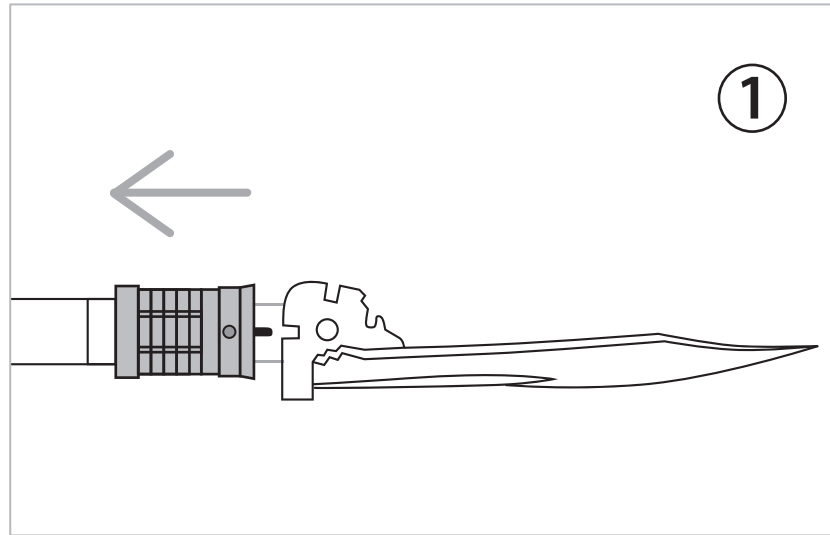


Patented switch mechanism.
Pull the slider to switch mode. Fast and sturdy!



Maintenance & Safety Reminders

- Wear and tear to shovel is normal resulting from extensive use. Scenarios for which shovel is not designed or not mentioned in this document may also cause damage to shovel.
- Contains sharp objects. Keep safe from children.
- Beware of sharp objects while removing components from storage pack.
- Do not chop or saw metal and rocks.
- Do not use shovel as a crowbar or lever.
- Do not expose shovel to corrosive fluid (such as salt water or non-pH neutral solvents).
- Before use: Wipe off residual anti rust oil on shovel with soft cloth.
- After use: Rinse off dirt and debris with fresh water. Air dry or wipe down with soft cloth after. Then spray anti-rust oil (not included) on shovel before storage.



TYGER®

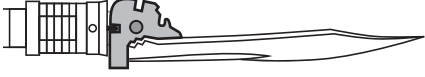





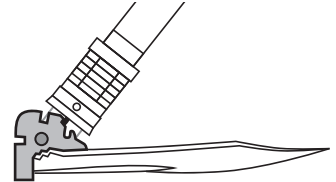

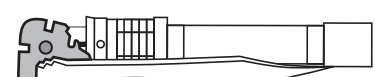
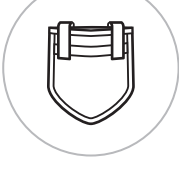
SHOVEL
TG-SV8U3217



NEED HELP? CONTACT US

www.TygerAuto.com/Contact

V200707

		Shovel
		Hammer
		Hoe
		Hook
		Storage

