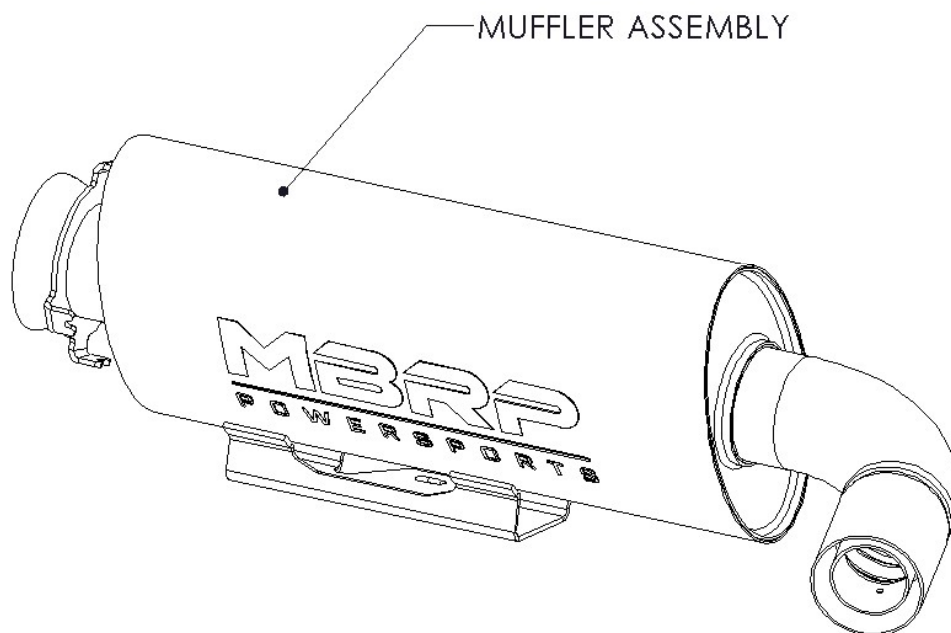


AT-9708SP

2018-UP ARCTIC CAT WILDCAT XX SxS,
OVAL SLIP-ON

MBRP
P O W E R S P O R T S



PLEASE READ BEFORE STARTING INSTALLATION

While MBRP Inc. has made every effort to ensure that all components of this system are of superior quality and properly packaged, it is the installer's responsibility to ensure the following before removal of the factory exhaust:

- that ALL components shown above are present.
- that ALL mating components fit together.
- that there are no damaged components.
- that the system you have purchased is appropriate for your vehicle year, model and configuration.
- that the system will not interfere with any modifications previously installed or planned.
- that you have read and understand these instructions.

If you have any questions or are uncertain about any aspect of the installation of this system to your vehicle please contact your dealer before commencing installation.

MBRP

POWERSPORTS

Removal of Stock Exhaust:



Figure 1

1. Remove the rear plastic trim panel and the rear heat shield panel.
2. Remove the 4 springs securing the muffer inlet to the exhaust pipe. These parts will be reused for the installation. Leave the gasket on the vehicle exhaust pipe.
Refer to Figure 1.
3. Remove the screw securing the OEM spark arrestor and remove the spark arrestor from the OEM muffer. These parts will be reused for the installation.
4. Remove the 3 muffer fasteners and rubber isolators. These parts will be reused for the installation.
5. Remove the Stock Muffer assembly.

Installation of MBRP Powersports Exhaust:



Figure 2

1. Install the rubber isolators previously removed onto the mounting bracket of the **Muffer Assembly**.
2. Mate the **Muffer Assembly** inlet pipe to the end of the exhaust pipe fitting over the gasket.
3. Secure the inlet using the previously removed stock springs. Hook the springs on the **Muffer Assembly** inlet pipe first, from the inside of the spring tab out, then hook the springs over the factory exhaust pipe.
Refer to Figure 2.



Figure 3

4. Reinstall the muffer mounting hardware to secure the **Muffer Assembly**.
Refer to Figure 3.
5. Install the OEM spark arrestor into the outlet of the **Muffer Assembly** and secure with the OEM screw.
Refer to Figure 4.



Figure 4

6. Reinstall the previously removed OEM heat shield and plastic trim panel.
7. Ensure there is adequate clearance between the exhaust system and other parts of the vehicle or accessories.

Note: It is recommended that the muffer screws be retightened after the first ride and checked periodically thereafter, tightening if necessary.

Congratulations! You are ready to begin experiencing the improved performance and driving excitement of your MBRP Powersports ATV Exhaust upgrade. We know you will enjoy your purchase.