

# 2018 – 20XX JEEP JL

## FRONT SKID PLATE INSTALLATION INSTRUCTIONS



# SAFETY

**Know Safety, no injury. Know injury, no safety. ~Author Unknown**

If there are any questions, call 1-855-HHTOUGH

- **READ ALL SAFETY INSTRUCTIONS BEFORE INSTALLATION**
  - FOLLOW ALL INSTRUCTIONS FOR PROPER ASSEMBLY
  - WEAR APPROPRIATE EYE PROTECTION
  - EXERCISE CARE WHEN LIFTING COMPONENTS
  - USE APPROPRIATE TORQUE FOR BOLTS
  - BLUE THREAD LOCKING COMPOUND IS RECOMMENDED ON ALL BOLTS

### **SUGGESTED TORQUE VALUES FOR STEEL GRADE SAE 5 BOLTS**

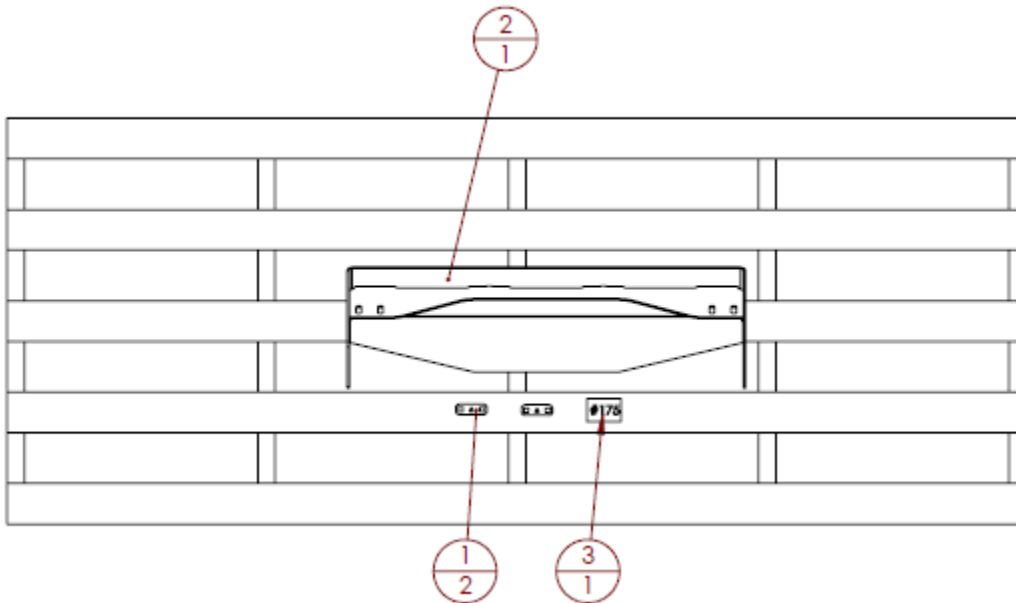
BOLT DIAMETER (INCH)	TREADS PER INCH	TORQUE (POUND-FEET)
1/4	20	7
5/16	18	14
3/8	16	25
7/16	14	40
1/2	13	60
9/16	12	88
5/8	11	120
3/4	10	200
7/8	9	302
1	8	466



600-56-0836

**I. PARTS LIST**

ITEM NO.	QTY.	PART NUMBER	DESCRIPTION
1	2	601-56-4493	WELDNUT TAB A
2	1	601-56-4494	JP JL RAVAGER FRONT SKID
3	1	60K-56-0155	HARDWARE KIT #175



**REMOVE CONTENTS FROM BOX AND VERIFY ALL PARTS ARE PRESENT.**

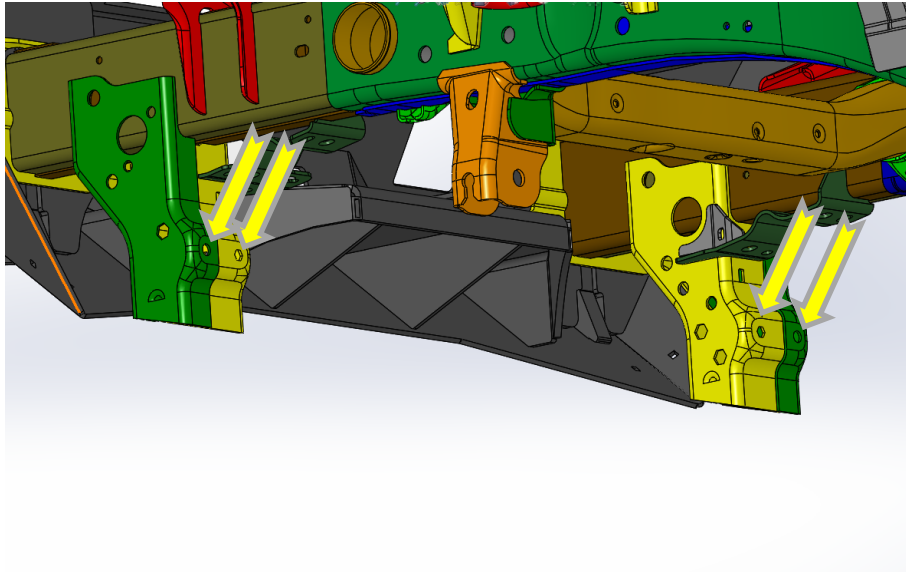
**If there are any questions, call 1-855 HHTOUGH or email [HHORDERS@hammerheadarmor.com](mailto:HHORDERS@hammerheadarmor.com)**

**II. TOOL LIST**

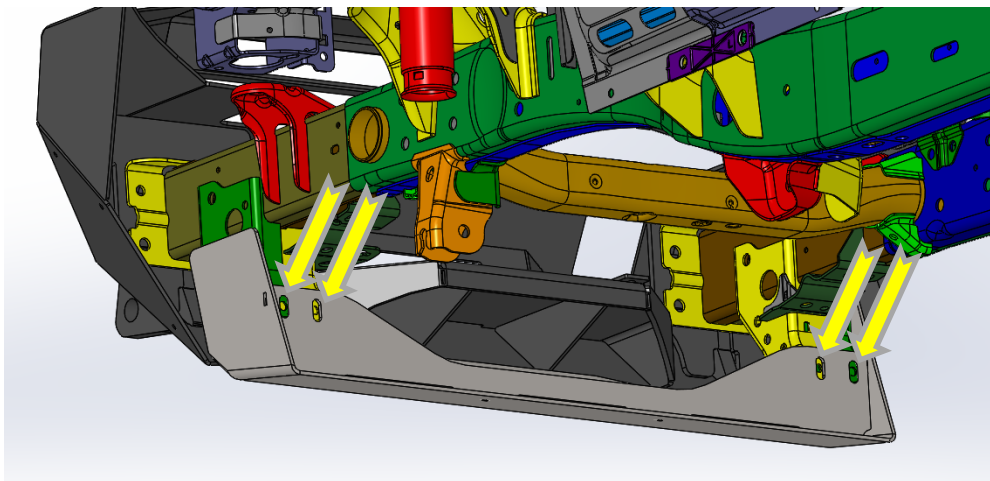
1. Basic Tool Kit
2. 9/16" socket

### III. FRONT SKID PLATE INSTALLATION

1. Place two 3/8" carriage head bolts into weldnut tab A. Place this inside the drop down frame locations and push the bolts through the frame in the indicated locations. Use the provided 3/8" pushnuts to secure the bolts in place. Do this for both sides.



2. Using a 9/16" socket, mount the Front Skid Plate with the provided 3/8" nuts and washers.





600-56-0836



**Congratulations! Your Installation is now complete.  
Thank You for your purchase!**