

# 2016-20XX NISSAN TITAN XD

## BULL BAR INSTALLATION INSTRUCTIONS



# SAFETY

**Know Safety, no injury. Know injury, no safety. ~Author Unknown**

If there are any questions, call 1-855-HHTOUGH

- **READ ALL SAFETY INSTRUCTIONS BEFORE INSTALLATION**
  - FOLLOW ALL INSTRUCTIONS FOR PROPER ASSEMBLY
  - WEAR APPROPRIATE EYE PROTECTION
  - EXERCISE CARE WHEN LIFTING COMPONENTS
  - USE APPROPRIATE TORQUE FOR BOLTS
  - BLUE THREAD LOCKING COMPOUND IS RECOMMENDED ON ALL BOLTS





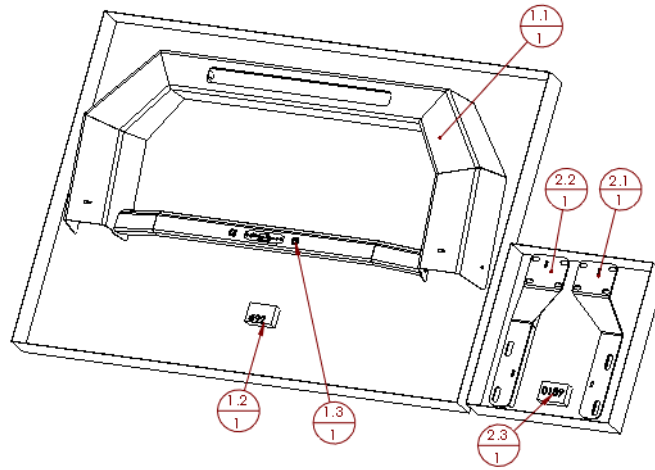
600-56-0832

<b>Suggested Torque Values For Steel Grade 5 Standard Bolts</b>		
BOLT DIAMETER (INCH)	THREADS PER INCH	TORQUE (POUND - FEET)
1/4	20	7
5/16	18	14
3/8	16	25
7/16	14	40
1/2	13	60
9/16	12	88
5/8	11	120
3/4	10	200
7/8	9	302
1	8	466

<b>Suggested Torque Values For Steel Grade 8.8 Metric Bolts</b>		
BOLT DIAMETER (mm)	THREAD PITCH (mm)	TORQUE (POUND-FEET)
6	1.0	7
8	1.25	16
10	1.5	32
12	1.75	55
14	2.0	88
16	2.0	140
18	2.5	195
20	2.5	275
22	2.5	375
24	3.0	475

**I. PARTS LIST**

ITEM NO.	QTY	PART NUMBER	DESCRIPTION	
1	1	600-56-0867	Wide Bullbar (Light Bar Only)	-
1.1	1	60P-56-0867	600-56-0867 POLISHED	-
1.2	1	60K-56-0092	HARDWARE KIT #92 (B BAR MOUNT)	-
1.3	1	443-01-0086	LICENSE PLATE MOUNTING KIT	-
2	1	600-56-0882	BULL BAR MOUNT KIT	-
2.1	1	601-56-4975	LEFT MOUNT WELDMENT	-
2.2	1	601-56-4974	RIGHT MOUNT WELDMENT	-
2.3	1	60K-56-0189	HARDWARE KIT #189	-



**REMOVE CONTENTS FROM BOX AND VERIFY ALL PARTS ARE PRESENT.**

**If there are any questions, call 1-855 HHTOUGH or email [HHORDERS@hammerheadarmor.com](mailto:HHORDERS@hammerheadarmor.com)**

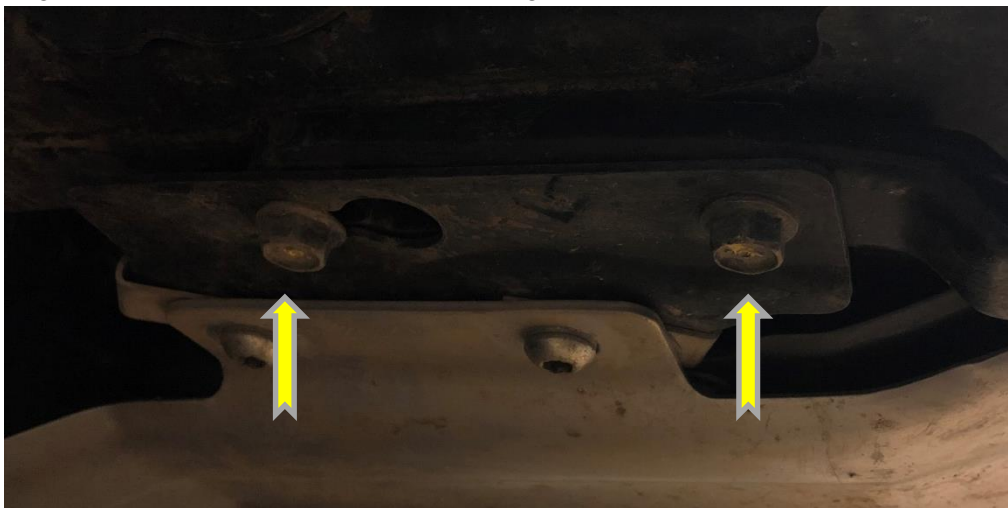
## II. TOOL LIST

1. Basic Tool Kit
2. 9/16" socket
3. 3" extension
4. 17mm socket



## III. VEHICLE PREPARATION

1. Park vehicle on level surface and engage parking brake.
2. Using a 17mm socket, remove 2 bolts attaching each tow hook to the truck frame.



3. Keep up with the bolts you removed, they will be used again.

#### IV. BULL BAR PREPARATION

1. Install lights with provided hardware at this time (if applicable)
2. Install license plate mounting kit if desired

#### V. BULL BAR INSTALLATION

1. Layout frame mounts and hardware kit 189 as shown:



2. Install frame mounts onto the truck frame where the tow hooks were removed. On the rear hole, use one washer between the frame and the mount. Of the remaining washers, use 1 washer per bolt. Do NOT fully tighten.



3. Lay down carpet or cardboard in front of the truck. Layout bull bar as shown. Use hardware kit #92 to attach the bull bar to the frame mounts. Use one 3/8"-16 bolt, one 3/8" lock washer, and one 3/8" flat washer per hole. Install all bolts. Using a 9/16" socket with 3" extension, tighten all bolts. Use torque values on page one.
4. Route light wires down the uprights and on top of the frame mount into the truck's bumper. Secure them with zip ties.
5. Have a friend help you align the bull bar. Push the top of the bull bar toward the truck and use a 17mm socket to tighten the frame mount bolts. Use the torque values on page one.

## **VI. SPECIAL NOTES**

This bull bar is NOT sensor compatible.



**Congratulations! Your Installation is now complete.  
Thank You for your purchase!**