

JEEP JL 2018 – 20XX

20" LIGHT BAR HOOD MOUNT INSTALLATION INSTRUCTIONS



SAFETY

Know Safety, no injury. Know injury, no safety. ~Author Unknown

If there are any questions, call 1-855-HHTOUGH

- **READ ALL SAFETY INSTRUCTIONS BEFORE INSTALLATION**
 - FOLLOW ALL INSTRUCTIONS FOR PROPER ASSEMBLY
 - WEAR APPROPRIATE EYE PROTECTION
 - EXERCISE CARE WHEN LIFTING COMPONENTS
 - USE APPROPRIATE TORQUE FOR BOLTS
 - BLUE THREAD LOCKING COMPOUND IS RECOMMENDED ON ALL BOLTS

SUGGESTED TORQUE VALUES FOR STEEL GRADE SAE 5 BOLTS

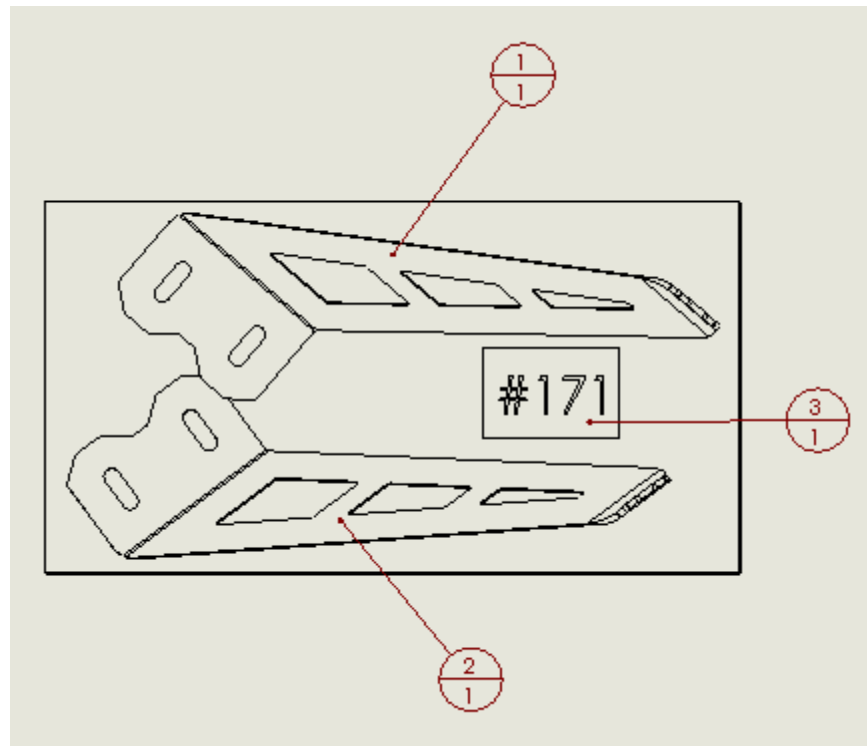
BOLT DIAMETER (INCH)	TREADS PER INCH	TORQUE (POUND-FEET)
1/4	20	7
5/16	18	14
3/8	16	25
7/16	14	40
1/2	13	60
9/16	12	88
5/8	11	120
3/4	10	200
7/8	9	302
1	8	466



600-56-0830

I. PARTS LIST

ITEM NO.	QTY.	PART NUMBER	DESCRIPTION
1	1	601-56-4484	RIGHT MOUNT
2	1	601-56-4485	LEFT MOUNT
3	1	60K-56-0171	HARDWARE KIT #171



REMOVE CONTENTS FROM BOX AND VERIFY ALL PARTS ARE PRESENT.

If there are any questions, call 1-855 HHTOUGH or email HHORDERS@hammerheadarmor.com

II. TOOL LIST

1. Basic Tool Kit
2. Torx 40



600-56-0830

III. HOOD MOUNT INSTALLATION

1. Remove the bolts from the hood hinge on ONE side of the Jeep.
2. Place 2 of the provided nylon washers between the OE hood hinge and the Hammerhead Hood Light Mount
3. Using the the Torx 40 install the Hood Light Mount with two of the provided torx 40 8mm bolts. Do not fully tighten yet.



4. Repeat this process for the other side.
5. Install your 20" light bar according to its instructions.
6. Center the light bar on the Jeep and tighten down the mounts to the correct torq spec.



**Congratulations! Your Installation is now complete.
Thank You for your purchase!**