

2018-20XX JEEP JL 4 DOOR

BODY MOUNT ROCK RAIL INSTALLATION INSTRUCTIONS



SAFETY

Know safety, no injury. Know injury, no safety. ~Author Unknown

If there are any questions, call 1-855-HHTOUGH

- **READ ALL SAFETY INSTRUCTIONS BEFORE INSTALLATION**
 - FOLLOW ALL INSTRUCTIONS FOR PROPER ASSEMBLY
 - WEAR APPROPRIATE EYE PROTECTION
 - EXERCISE CARE WHEN LIFTING COMPONENTS
 - USE APPROPRIATE TORQUE FOR BOLTS
 - BLUE THREAD LOCKING COMPOUND IS RECOMMENDED ON ALL BOLTS

California Proposition 65



WARNING

Cancer and Reproductive Harm

www.P65Warnings.ca.gov

DO NOT PAINT OVER THIS LABEL. REPLACE IF DAMAGED OR LOST

DKB150_00



2018-20XX JEEP JL

Suggested Torque Values For Steel Grade 5 Standard Bolts		
BOLT DIAMETER (INCH)	THREADS PER INCH	TORQUE (POUND - FEET)
1/4	20	7
5/16	18	14
3/8	16	25
7/16	14	40
1/2	13	60
9/16	12	88
5/8	11	120
3/4	10	200
7/8	9	302
1	8	466

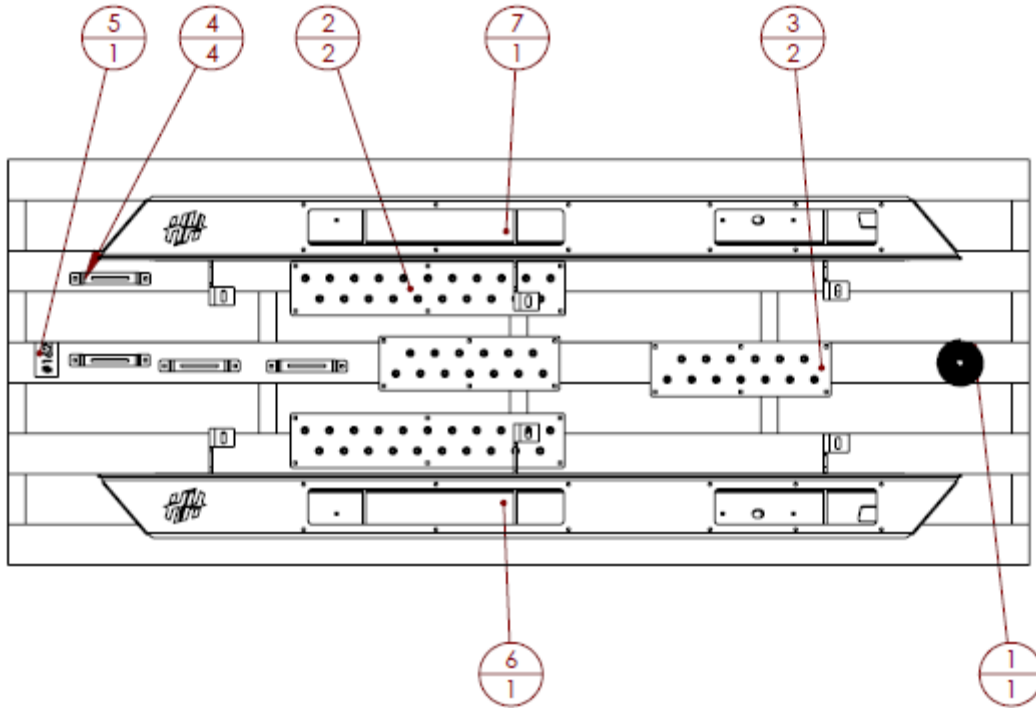
Suggested Torque Values For Steel Grade 8.8 Metric Bolts		
BOLT DIAMETER (mm)	THREAD PITCH (mm)	TORQUE (POUND-FEET)
6	1.0	7
8	1.25	16
10	1.5	32
12	1.75	55
14	2.0	88
16	2.0	140
18	2.5	195
20	2.5	275
22	2.5	375
24	3.0	475

I. PARTS LIST

ITEM NO.	QTY.	PART NUMBER	DESCRIPTION
1	1	601-56-3744	3048MM LENGTH FOAM ROLL
2	2	601-56-3942	FRONT STEP PLATE
3	2	601-56-3943	REAR STEP PLATE
4	4	601-56-5113	ROCK LIGHT BRACKET
5	1	60K-56-0162	HARDWARE KIT #162
6	1	60P-56-0762	LEFT ROCK RAIL
7	1	60P-56-0763	RIGHT ROCK RAIL



2018-20XX JEEP JL



REMOVE CONTENTS FROM BOX AND VERIFY ALL PARTS ARE PRESENT.

**If there are any questions, call 1-855-HHTOUGH or email
HHORDERS@hammerheadarmor.com**

II. TOOL LIST

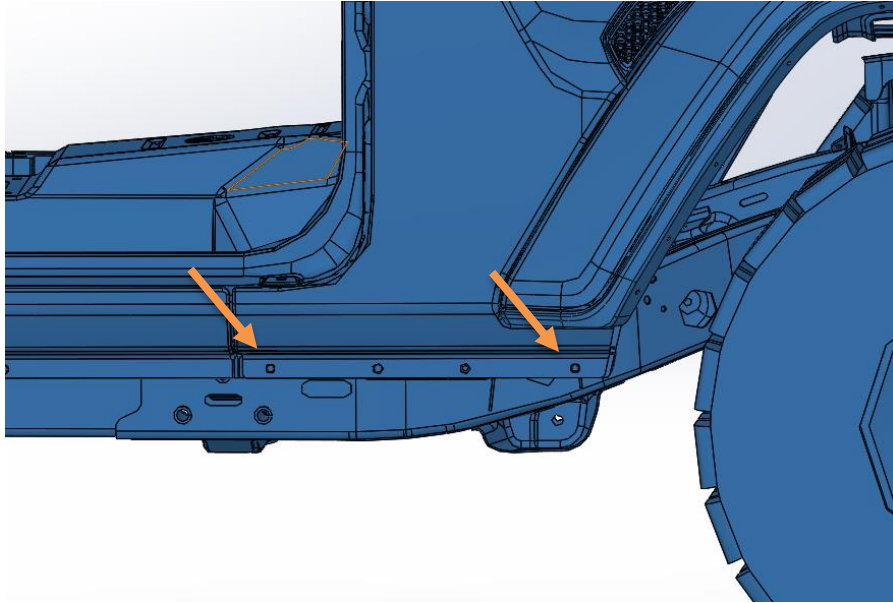
1. A good friend
2. Basic tool kit
3. 10mm socket
4. Torx 40
5. Torx 20
6. 13mm wrench
7. 7/16 socket
8. 7/16 wrench

III. VEHICLE PREPARATION

1. Remove any already installed rock rails or running boards
2. Remove the 2 bolts holding the fender to the pinch seam using the 10mm socket



2018-20XX JEEP JL



IV. PREPPING THE ROCK RAIL FOR INSTALL

1. Install the provided foam as shown.



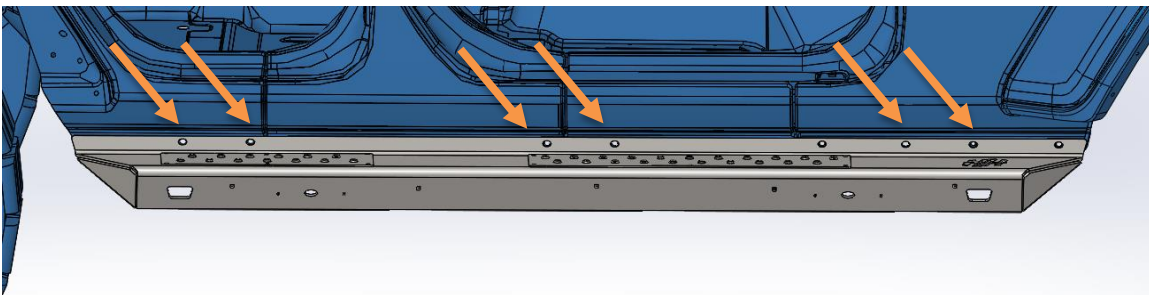
2. Using the twelve 1/4" carriage bolts, washers and nuts install the step plates as shown. You will use the 7/16" wrench or socket for this step. Make sure the step perforations are sticking up for grip.



2018-20XX JEEP JL



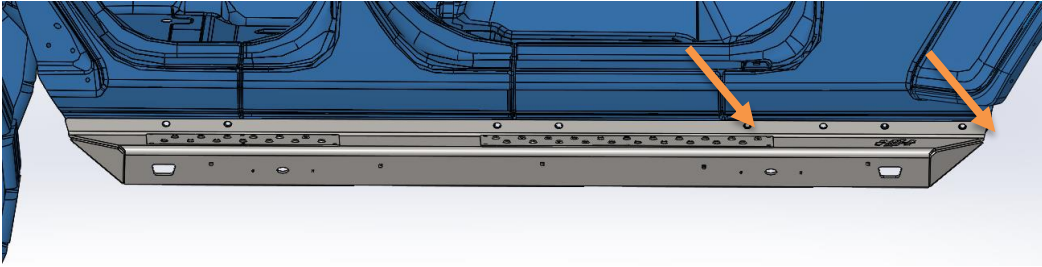
3. Using the eight ¼” carriage head bolts, washers, and nuts install the 2 rock light brackets. You will use the 7/16” socket. If you have rock lights, install them on the rock light bracket.
4. Bolt the rock rail to the pinch seam using 6 of the provided torx 40, 8mm bolts, washers, and nylock nuts. Use the Torx 40 and the 13mm wrench. Do not tighten yet.



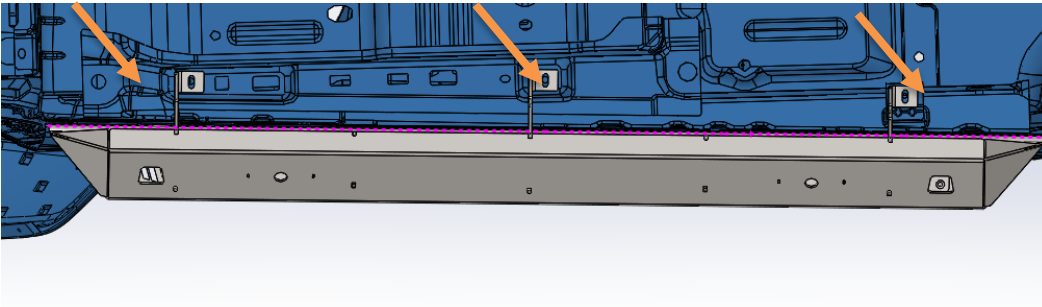
5. Install two torx 20, 6mm bolts and black washers where you removed the two factory fender bolts.



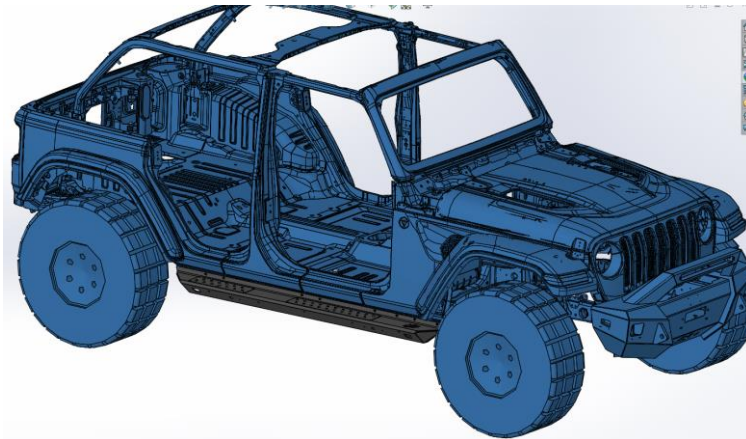
2018-20XX JEEP JL



6. Install three torx 40, 8mm bolts and washers into the underside of the body.



7. Repeat this process for the other side. Tighten all bolts to spec.



**CONGRATULATIONS!! YOUR
HAMMERHEAD JL BODY MOUNT ROCK
RAILS ARE FULLY INSTALLED**