

# 2018-20XX Jeep JL 4 Door

## RUNNING BOARD INSTALLATION INSTRUCTIONS



## SAFETY

**Know safety, no injury. Know injury, no safety. ~Author Unknown**

If there are any questions, call 1-855-HHTOUGH

- **READ ALL SAFETY INSTRUCTIONS BEFORE INSTALLATION**

- FOLLOW ALL INSTRUCTIONS FOR PROPER ASSEMBLY
- WEAR APPROPRIATE EYE PROTECTION
- EXERCISE CARE WHEN LIFTING COMPONENTS
- USE APPROPRIATE TORQUE FOR BOLTS
- BLUE THREAD LOCKING COMPOUND IS RECOMMENDED ON ALL BOLTS

- SUGGESTED TORQUE VALUES FOR STEEL GRADE SAE 5 BOLTS

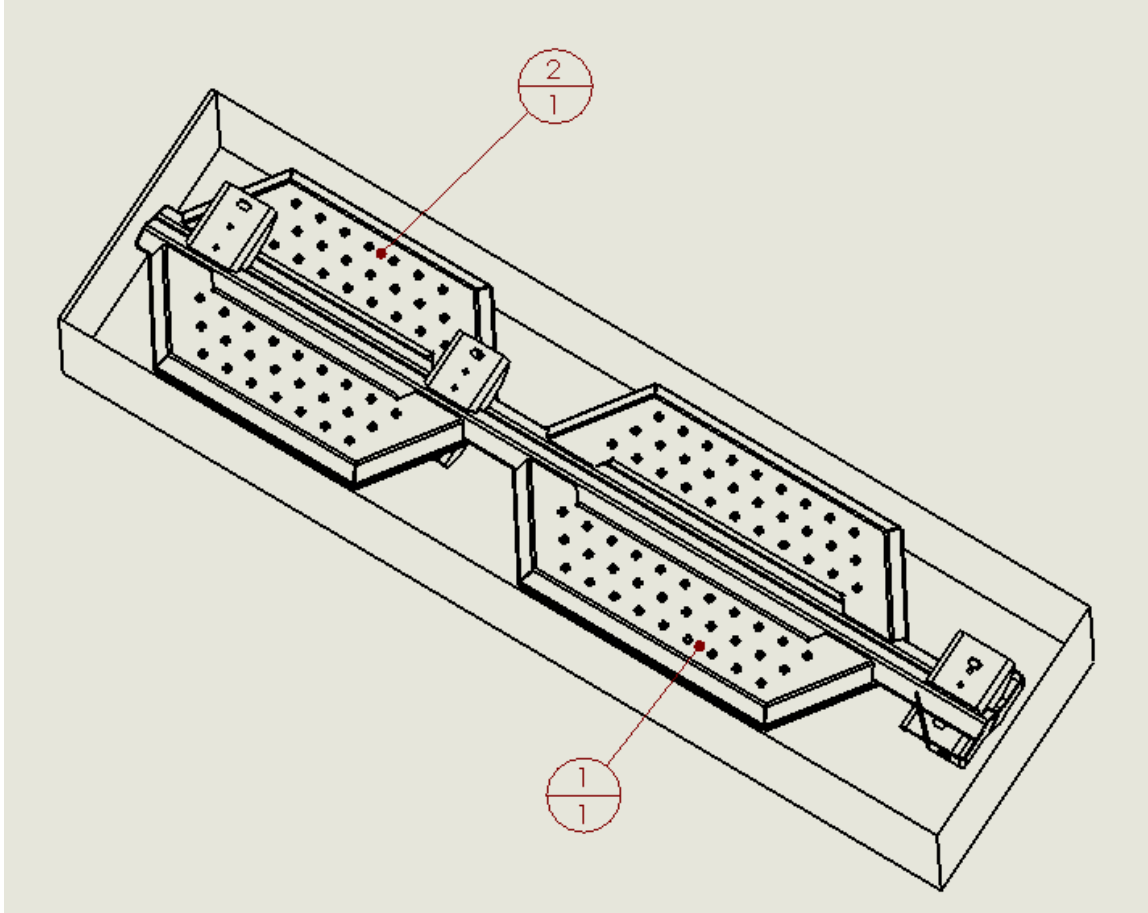
BOLT DIAMETER (INCH)	TREADS PER INCH	TORQUE (POUND-FEET)
1/4	20	7
5/16	18	14
3/8	16	25
7/16	14	40
1/2	13	60
9/16	12	88
5/8	11	120
3/4	10	200
7/8	9	302
1	8	466



2018-20XX Jeep JL 4 door

## I. PARTS LIST

ITEM NO.	QTY.	PART NUMBER	DESCRIPTION
1	1	60P-56-0740	RUNNING BOARD RIGHT
2	1	60P-56-0741	RUNNING BOARD LEFT



**REMOVE CONTENTS FROM BOX AND VERIFY ALL PARTS ARE PRESENT.**  
If there are any questions, call 1-855-HHTOUGH or email  
[HHORDERS@hammerheadarmor.com](mailto:HHORDERS@hammerheadarmor.com)



2018-20XX Jeep JL 4 door

## II. TOOL LIST

1. A good friend
2. Basic tool kit
3. 18mm socket
4. Torque wrench

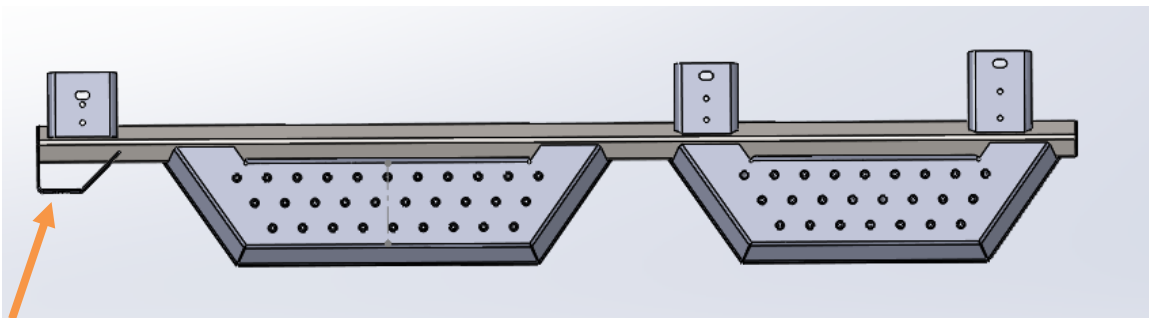
## III. VEHICLE PREPARATION

1. Using 18mm socket, remove OE cab bolts on left side.



## IV. RUNNING BOARD INSTALLATION

1. Identify the left running board. It will have a bottle opener (arrow) on the left side.





### 2018-20XX Jeep JL 4 door

2. Have a good friend help you hold the running board up to the mounts. Install running board with OEM hardware.
3. Tighten all hardware. Installation is now complete. Follow the same procedure for the right side of the vehicle.



## **CONGRATULATIONS!!**

Your Hammerhead X series running board installation is now complete.  
Thank you for your purchase.