

2010-2015 DODGE 2500-3500

BULL BAR INSTALLATION INSTRUCTIONS



SAFETY

Know safety, no injury. Know injury, no safety. ~Author Unknown

If there are any questions, call 1-855-HHTOUGH

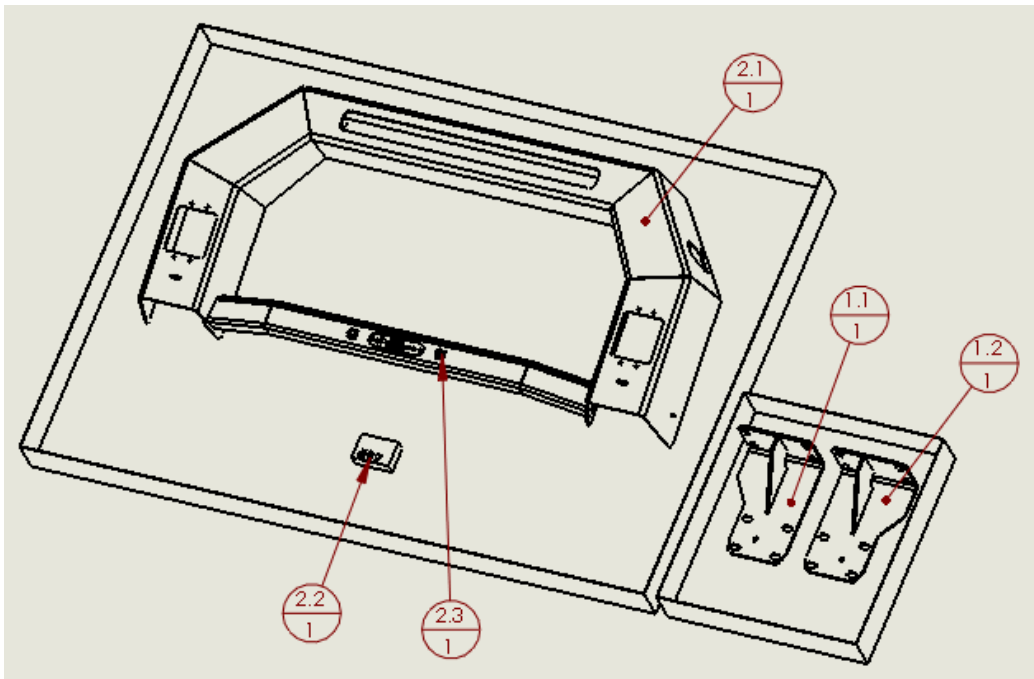
- **READ ALL SAFETY INSTRUCTIONS BEFORE INSTALLATION**
 - FOLLOW ALL INSTRUCTIONS FOR PROPER ASSEMBLY
 - WEAR APPROPRIATE EYE PROTECTION
 - EXERCISE CARE WHEN LIFTING COMPONENTS
 - USE APPROPRIATE TORQUE FOR BOLTS

SUGGESTED TORQUE VALUES FOR STEEL GRADE SAE 5 BOLTS

| BOLT DIAMETER (INCH) | TREADS PER INCH | TORQUE (POUND-FEET) |
|----------------------|-----------------|---------------------|
| 1/4 | 20 | 7 |
| 5/16 | 18 | 14 |
| 3/8 | 16 | 25 |
| 7/16 | 14 | 40 |
| 1/2 | 13 | 60 |
| 9/16 | 12 | 88 |
| 5/8 | 11 | 120 |
| 3/4 | 10 | 200 |
| 7/8 | 9 | 302 |
| 1 | 8 | 466 |

I. PARTS LIST

| ITEM NO. | QTY | PART NUMBER | DESCRIPTION |
|----------|-----|-------------|--------------------------------|
| 1 | 1 | 600-56-0875 | BULL BAR MOUNT KIT |
| 1.1 | 1 | 601-56-3948 | RIGHT MOUNT WELDMENT |
| 1.2 | 1 | 601-56-3951 | LEFT MOUNT WELDMENT |
| 2 | 1 | 600-56-0864 | Standard Bullbar (All Lights) |
| 2.1 | 1 | 60P-56-0864 | 600-56-0864 POLISHED |
| 2.2 | 1 | 60K-56-0092 | HARDWARE KIT #92 (B BAR MOUNT) |
| 2.3 | 1 | 443-01-0086 | LICENSE PLATE MOUNTING KIT |



REMOVE CONTENTS FROM BOX AND VERIFY ALL PARTS ARE PRESENT.

**If there are any questions, call 1-855-HHTOUGH or email
HHORDERS@hammerheadarmor.com**

II. TOOL LIST

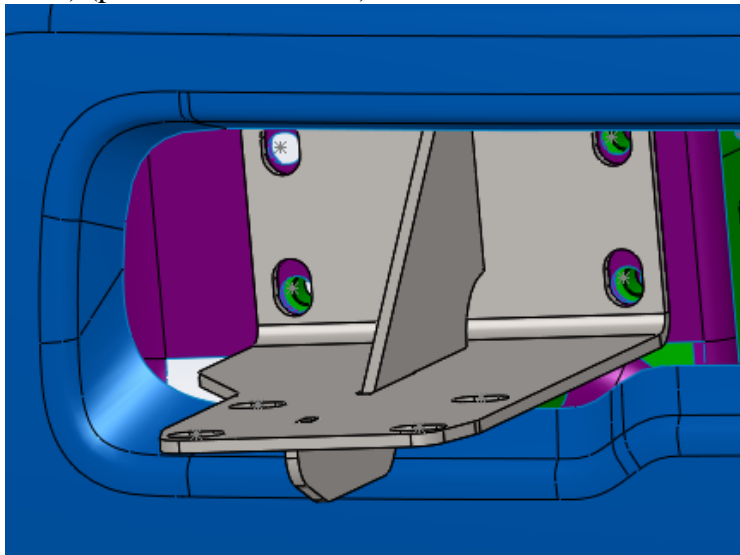
1. Basic tool set
2. 18mm socket
3. 9/16" socket
4. 3" extension

III. PREPARE BULL BAR FOR INSTALLATION

1. Install lights with provided hardware at this time.
2. Install license plate mounting kit if desired.

IV. INSTALL BULL BAR

1. Using an 18mm socket, remove 4 bolts attaching the tow hook to the bumper. (both sides)
2. Using the OE hardware, install the frame mount and tighten the 4 bolts. (both sides) (picture for reference)



3. Lay down carpet or cardboard in front of truck. Lay Bull Bar as shown. Use hardware kit #92 to attach bull bar to frame mounts. Use one 3/8"-16 bolt, one 3/8" lock washer, and one 3/8" flat washer per hole. Install all bolts. Using a 9/16" socket with 3" extension, tighten all bolts. Use torque values on page one.



4. Have a friend help you align the Bull Bar. Push top of Bull Bar toward truck. Use torque values on page one. Verify top of Bull Bar is level with ground.



Congratulations! Your product installation is now complete.
Thank you for you purchase.