

# 2015-20XX GMC 2500-3500

## FRONT BUMPER INSTALLATION INSTRUCTIONS



## SAFETY

**Know safety, no injury. Know injury, no safety. ~Author Unknown**

- **READ ALL SAFETY INSTRUCTIONS BEFORE INSTALLATION**
  - FOLLOW ALL INSTRUCTIONS FOR PROPER ASSEMBLY
  - WEAR APPROPRIATE EYE PROTECTION
  - EXERCISE CARE WHEN LIFTING COMPONENTS
  - USE APPROPRIATE TORQUE FOR BOLTS
  - BLUE THREAD LOCKING COMPOUND IS RECOMMENDED ON ALL BOLTS
- SUGGESTED TORQUE VALUES FOR STEEL GRADE SAE 5 BOLTS

BOLT DIAMETER (INCH)	TREADS PER INCH	TORQUE (POUND-FEET)
1/4	20	7
5/16	18	14
3/8	16	25
7/16	14	40
1/2	13	60
9/16	12	88
5/8	11	120
3/4	10	200
7/8	9	302
1	8	466



2015-20XX GMC 2500-3500 Front

## I. PARTS LIST

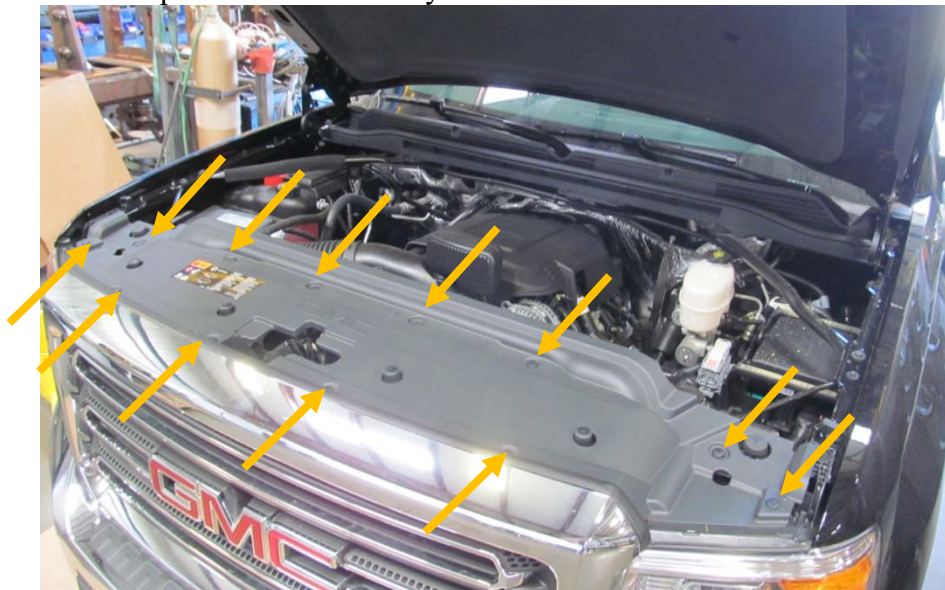
<u>QUANTITY</u>	<u>PART NUMBER</u>	<u>DESCRIPTION</u>
1	600-56-0273,0274, 0275, 0607	FRONT BUMPER
1	601-56-2435	RIGHT FRAME MOUNT
1	601-56-2436	LEFT FRAME MOUNT
1	60K-56-0001	HARDWARE PACKAGE #1
2	601-56-2498	WELDNUT TAB
4	316-01-0005	1.25" PLUG

## II. TOOL LIST

1. 3/4" wrench
2. 3/4" socket
3. Flathead screwdriver
4. 10mm socket
5. 15mm socket
6. 18mm socket
7. 18mm wrench

## III. REMOVAL OF OEM BUMPER

1. Using flathead screwdriver, remove 12 plastic retainers in OEM plastic shroud. Gently set aside. It will be reused.





## 2015-20XX GMC 2500-3500 Front

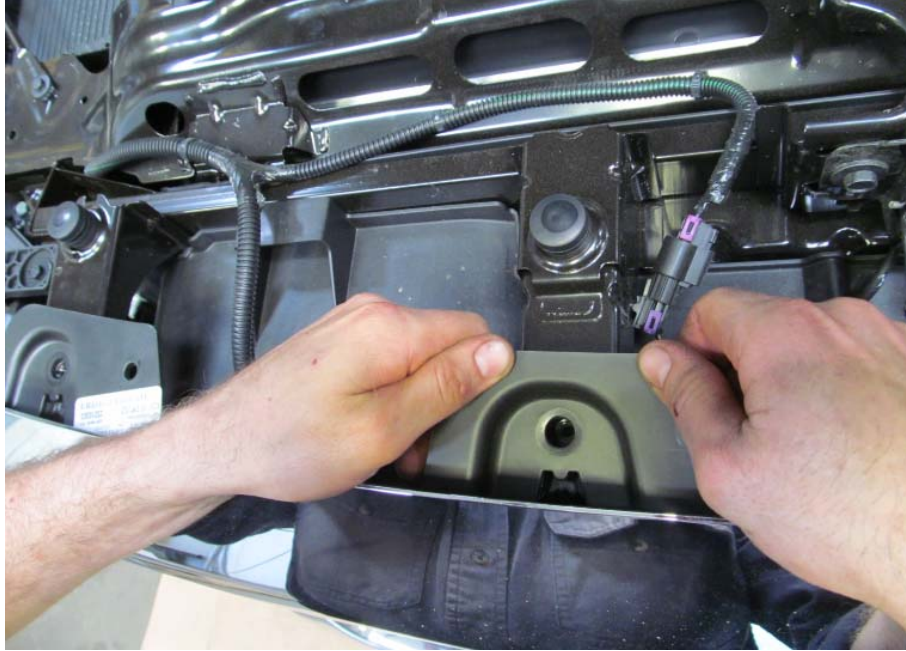
- Using 10mm socket, remove four screws in top of grill, and two screws on bottom of grill.





### 2015-20XX GMC 2500-3500 Front

3. Gently pull out on grill to remove. Start at top by pulling up and then out on top tabs. Then pull out on bottom. Gently set aside. It will be reused.



4. Using 15mm socket, remove 3 bolts from OEM bumper side brace in front of tire. Set aside. (both sides)



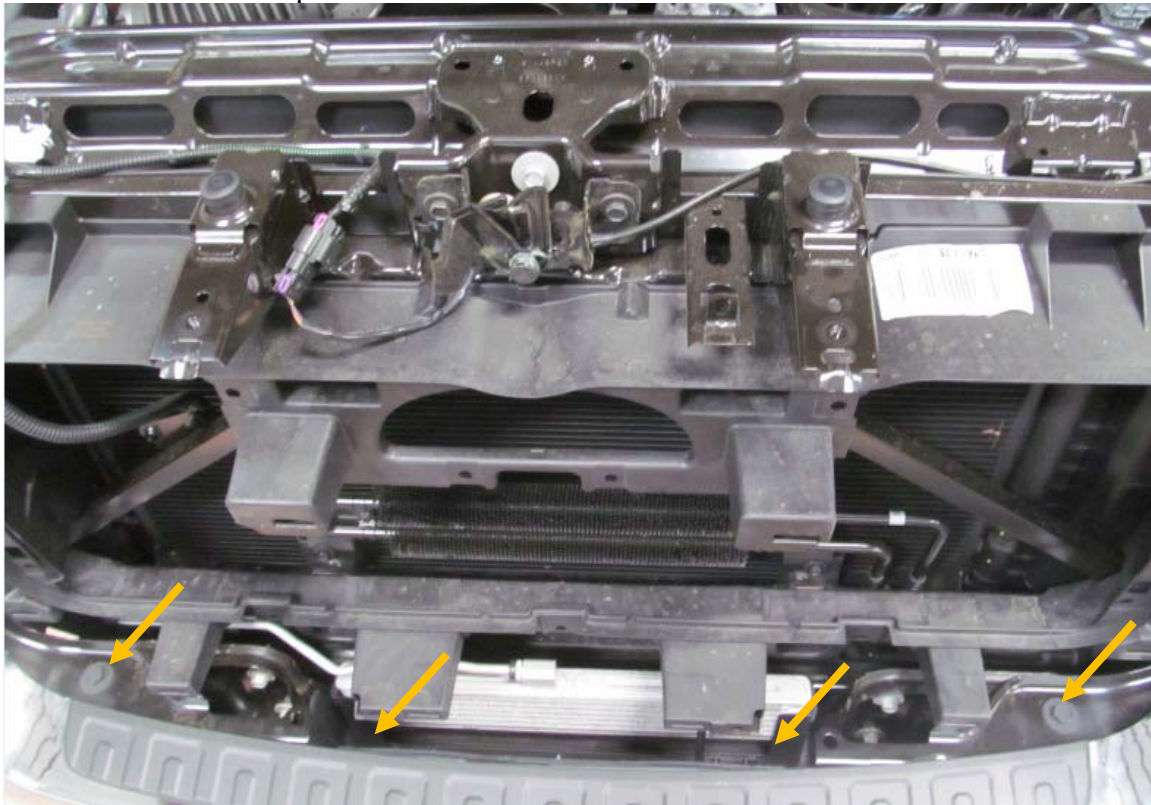


## 2015-20XX GMC 2500-3500 Front

5. Unplug OEM sensor/fog light harness. (if applicable)



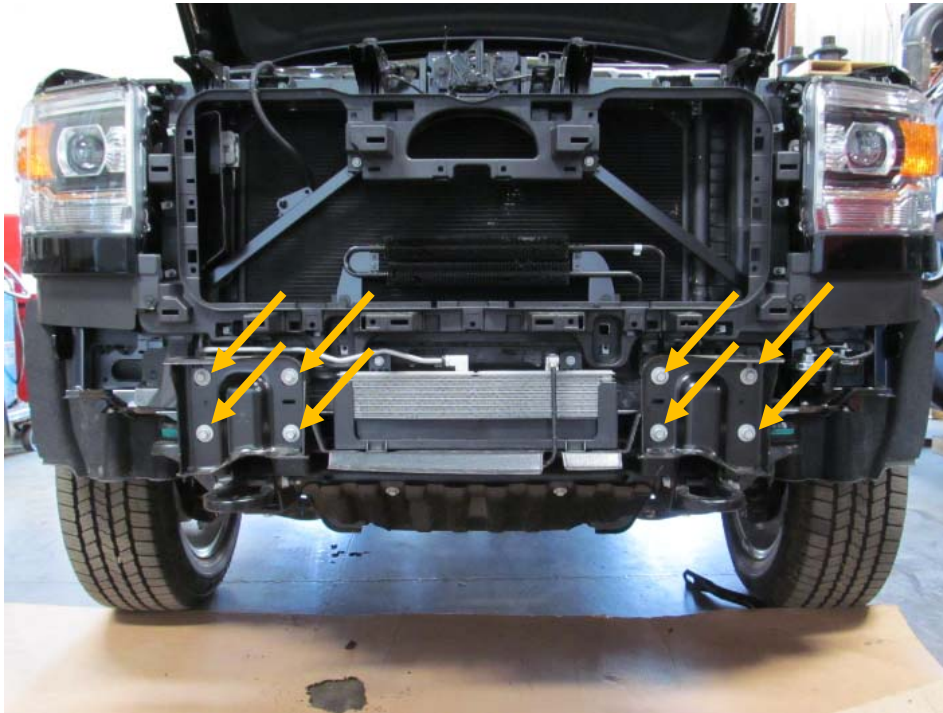
6. Using 18mm socket, remove four bolts holding on OEM bumper. Set bumper aside.





## 2015-20XX GMC 2500-3500 Front

7. Using 15mm socket, remove eight bolts holding on OEM bumper frame mount brackets. Set brackets aside.



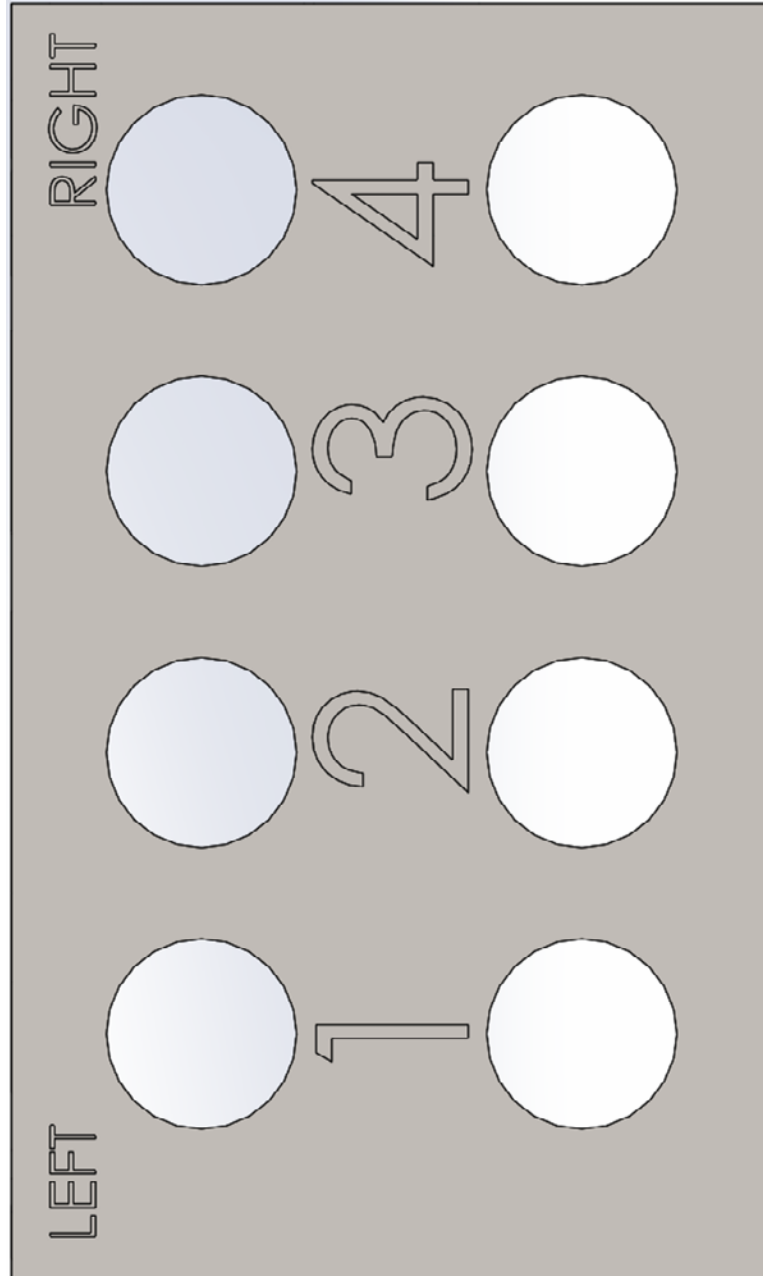
8. Using 18mm socket and wrench, remove OEM tow hook. Set tow hook aside. (both sides)





### 2015-20XX GMC 2500-3500 Front

9. Remove OEM wiring harness, sensors and grommets from OEM bumper. (if applicable) When removing sensors and grommets, keep them in the same order and orientation left to right that they came out of the truck in. This is very important. Use pic below to keep track of sensors and grommets.





2015-20XX GMC 2500-3500 Front

## IV. INSTALLATION OF HAMMERHEAD BUMPER

1. If your truck is equipped with sensors, install OEM sensor grommets in Hammerhead bumper. Make sure they are oriented in the same way they were in the OEM bumper.



2. If your truck is not equipped with sensors, install provided plugs in



sensor holes.

3. Reinstall OEM grill and plastic shroud using OEM hardware.
4. Lay out frame mounts as shown.





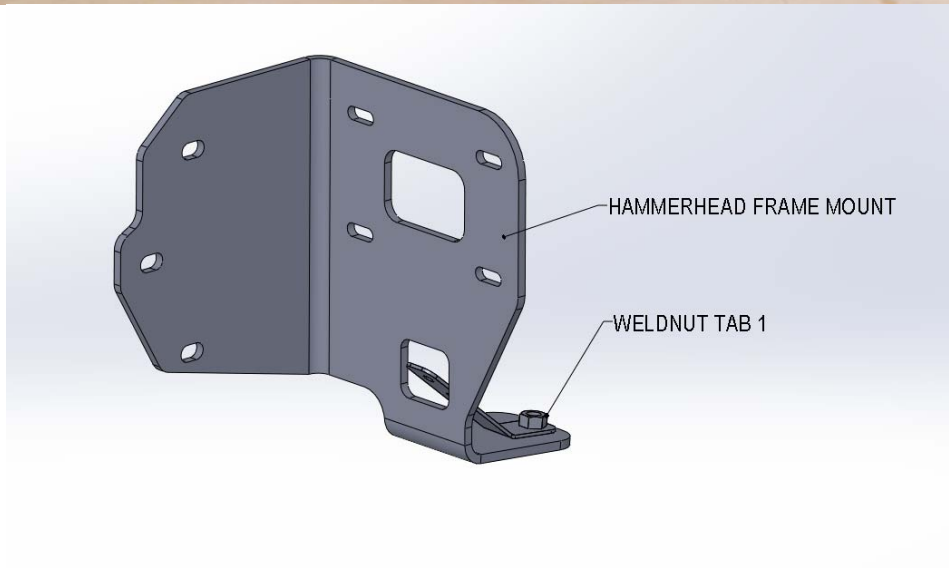
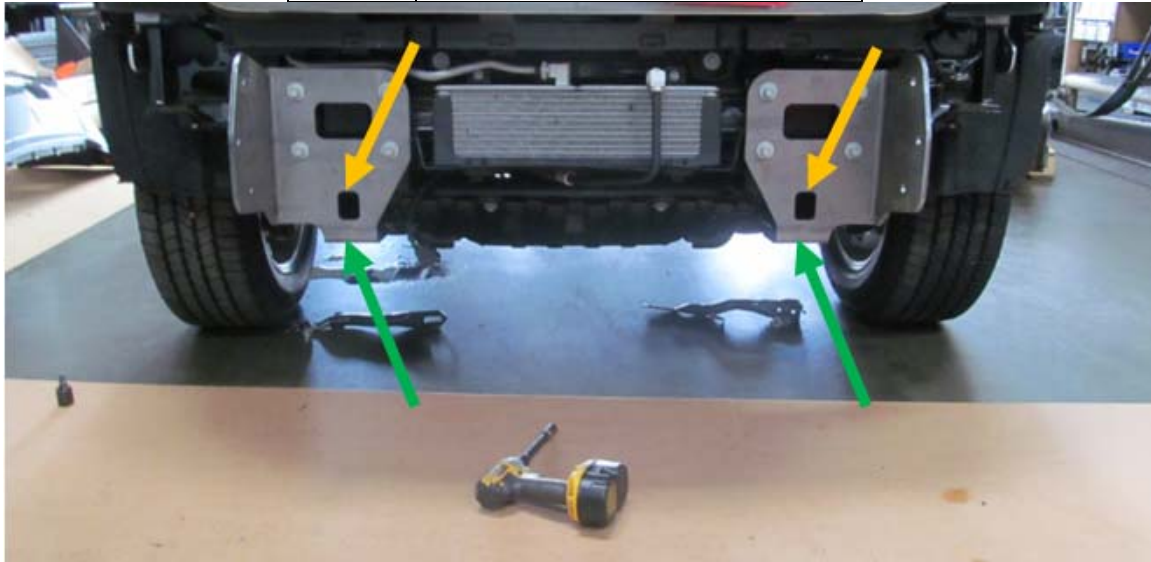


### 2015-20XX GMC 2500-3500 Front

- 5. Using OEM hardware, install Hammerhead Frame mounts on frame as shown. Do not fully tighten.
- 6. Using Hardware Kit#1 install bolts, flat washers, lock washers, and weldnut tab (601-56-2498) in bottom of frame mount through bottom OEM tow hook bolt hole. (green arrows) Weldnut tab can be inserted through front of Hammerhead frame mount. (orange arrows) Do not fully tighten.

You will need:

Qty	Description
2	1/2"-13 x 2" hex head bolt
2	1/2" flat washer
2	1/2" lock washer
2	1/2"-13 hex head nut





## 2015-20XX GMC 2500-3500 Front

7. Install Hammerhead bumper on frame mounts using bolts, flat washers, lock washers, and nuts from Hardware Kit#1 and  $\frac{3}{4}$ " wrench and socket.

You will need:

Qty	Description
6	$\frac{1}{2}$ "-13 x 2" hex head bolt
12	1/2" flat washer
6	1/2" lock washer
6	1/2"-13 hex head nut

8. Align bumper and fully tighten all hardware.



**CONGRATULATIONS!!**