

INSTALLATION INSTRUCTIONS



TG FLUID CARRIERS

300595-KIT (6-QUART)

300665-KIT (4-QUART)

300669-KIT (2-QUART)

300741-KIT (2-GALLON)

KIT CONTENTS:

300665-KIT



300595-KIT



300669-KIT



300741-KIT





RECOMMENDED TOOLS

Drill
Assorted Drill Bits
Desired Mounting Hardware
Welder (optional)

CAUTION

1. Read all instructions completely and carefully before you begin.
2. Check to make sure the kit is complete and that no parts are missing (refer to the Kit Contents List on the first page of these instructions). If anything is missing, please contact Trail-Gear at 559.252.4950.
3. Park vehicle on a clean, dry, flat, level surface and block the tires so the vehicle can not roll in either direction.

INSTALLATION INSTRUCTIONS

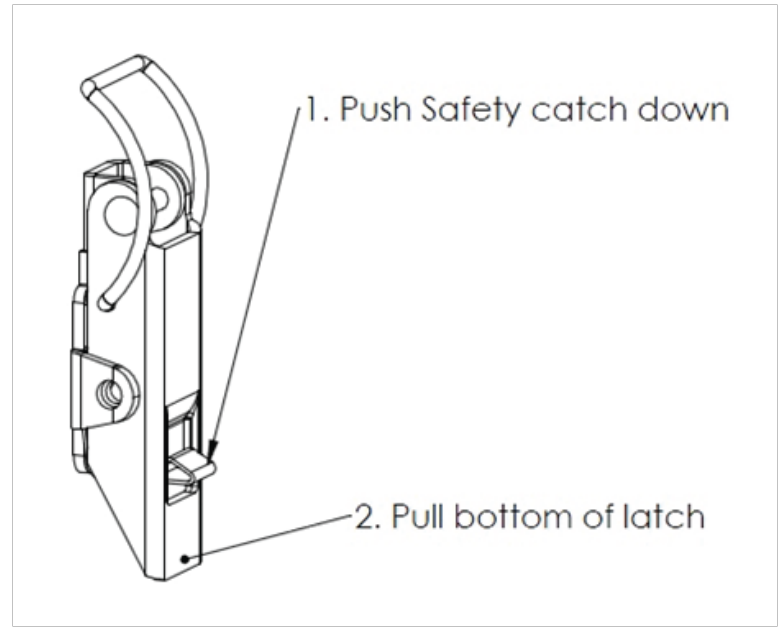


INSTALLATION

The TG Fluid Carriers can either be welded to the vehicle or bolted on using the integrated mounting holes found on the back and bottom of the oil carrier. When using screws, it is recommended that low profile self tapping button head screws be used to prevent damage or puncture to the fluid containers being carried.

LATCH OPERATION

The draw latch used on the fluid carrier features a safety catch that must be pressed down in order to release the latch.

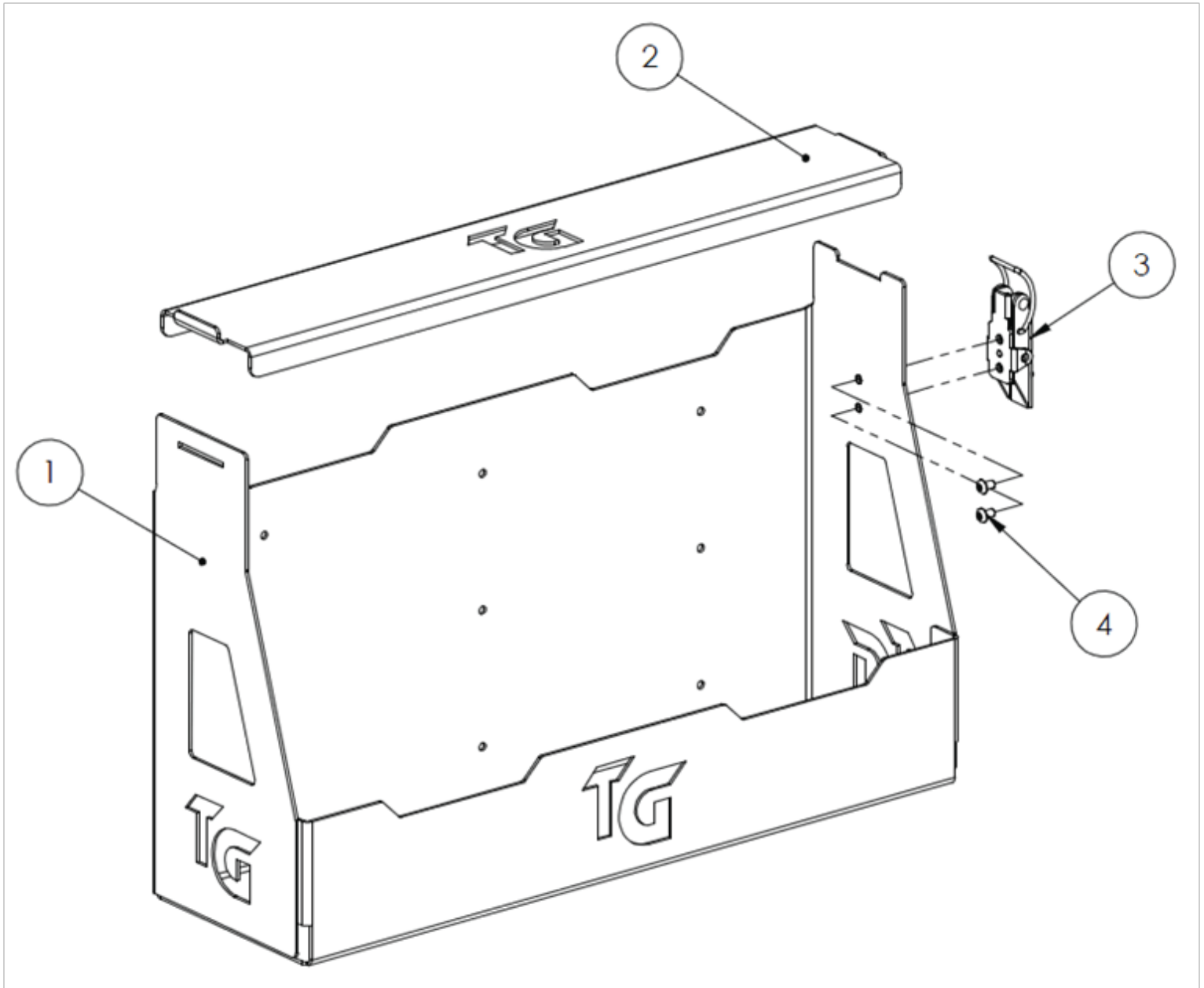


	WARNING
	Fire Hazard Do not mount near a heat source such as an engine or exhaust. Heat may cause fluid containers to melt and contents to ignite.

INSTALLATION INSTRUCTIONS



EXPLODED DIAGRAM



Item No.	Qty.	Description	2-Quart P/N	4-Quart P/N	6-Quart P/N	2-Gallon P/N
1	1	Fluid Carrier Bottom	300668	300664	300474	300740
2	1	Fluid Carrier Top	300666	300662	300472	300472
3	1	Spring Latch	300593	300593	300593	300593
4	2	Rivet	300594	300594	300594	300594